



*GATCO (Glaze Appliance Technologies Ltd.) Provide:
Façade work (curtain wall, spider, ACP, railing) with
Sliding, Casement & Fixed Euro Windows & Doors System*

COME HOME TO QUALITY



Aluminum Windows

Aluminum Windows – Aluminum is the planet’s most common chemical element and is used all over the world in a range of products. It possesses atomic number 13 and is symbolized as Al on the periodic table of elements. Its pure form is silvery white and is very lightweight. It is able to blend with almost any metal to produce sturdy alloys and is a very good conductor. The element is non-magnetic, making it very useful in certain applications. It is considered as a poor metal, having extremely high malleability like lead and tin.

Overall, the element is non-toxic; however, it raises some health concerns. Workers who deal with massive amounts of aluminum and inhale it can compromise their health status. Problems of the neuromuscular and skeletal systems can arise with internal aluminum toxicity. Some people are allergic to the element and contact with aluminum products triggers contact dermatitis.

The use of aluminum in window manufacturing has led to reduced overall production costs, since it is a widely available material. In addition, the material is three times more durable than vinyl and 40 times more than wood. The material is also able to withstand changing weather demands. It retains its sturdy nature and gets tougher in cold temperatures. This makes aluminum windows a popular material for commercial and/or industrial units. Its high malleability makes it an able material that can be shaped into various architectural designs. Their resistance to noise and moisture is also great, further justifying their use in window construction as energy-efficient products.

Maintenance of aluminum windows is minimal; however, certain guides have to be followed. Extensive cleaning should be done by professionals since they possess proper cleaning equipment and solvents. For everyday maintenance, washing away dirt with mild soapy water will suffice. Afterwards, solvents specifically for aluminum materials may be used. Corrosive substances and/or solvents like acids should be avoided. High abrasive materials, metal scrapers, and nozzle sprays can damage the material and should also not be used. Pads with soft bristles may be used instead.

COME HOME TO QUALITY



We Provide

- FAÇADE WORK (Curtain Wall, Spider, ACP, Railling)
- SLIDING WINDOWS
- CASEMENT WINDOWS
- FIXED WINDOWS

Sliding Windows:

- Tandem adjustable brass rollers
- Clam Type manual & Auto lock.
- Heavy-duty extruded screen with adjustable rollers
- Optional Retrofit fin, for installation without stucco damage.
- Heavy-duty 5 1/2" frame depth
- Available in standard and custom sizes.



**G
A
T
C
O**

COME HOME TO QUALITY

We Provide

- FAÇADE WORK (Curtain Wall, Spider, ACP, Railling)
- SLIDING WINDOWS
- CASEMENT WINDOWS
- FIXED WINDOWS

Casement Window

***G
A
T
C
O***



- *Single & Double Glazing*
- *Heavy-duty hardware*
- *90 degrees easy open*
- *Multi Locking Systems*
- *Water & Air tightness*
- *Energy saving & Secure*
- *Water-proof & easy installation*

COME HOME TO QUALITY

We Provide

- FAÇADE WORK (Curtain Wall, Spider, ACP, Railling)
- SLIDING WINDOWS
- CASEMENT WINDOWS
- FIXED WINDOWS

Fixed Windows

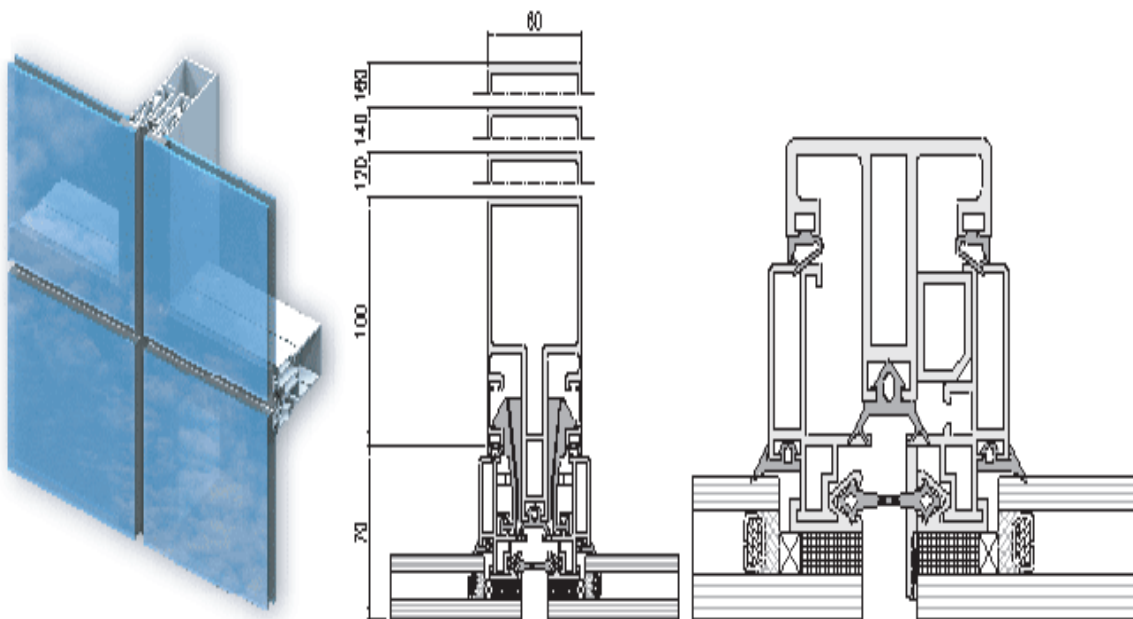


**G
A
T
C
O**

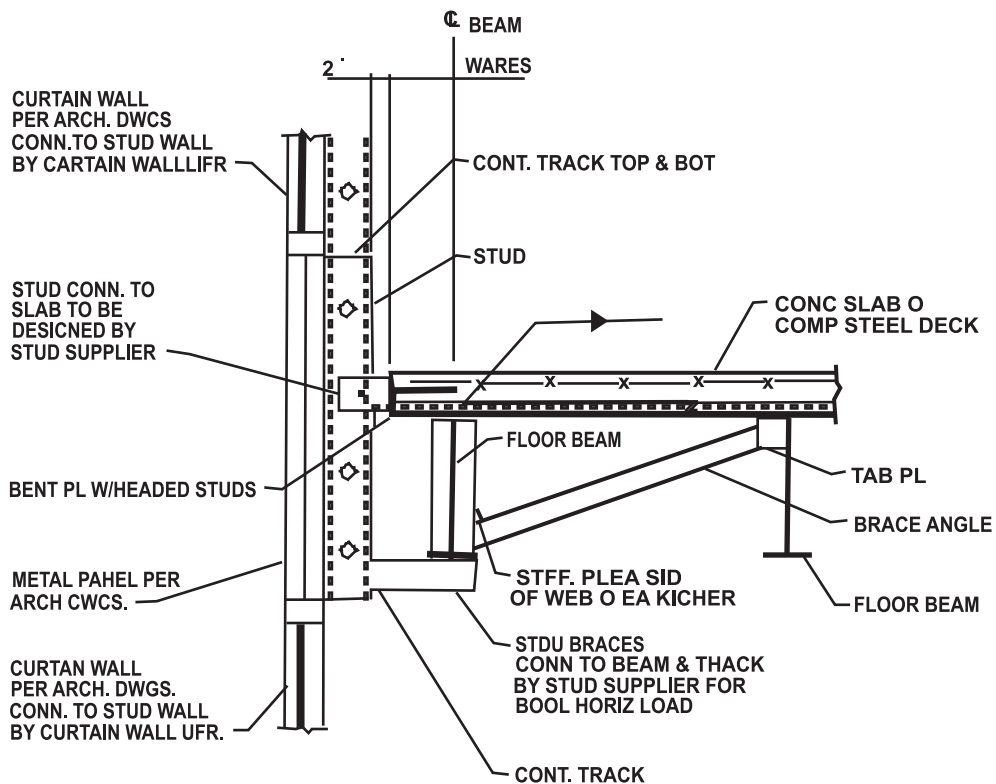
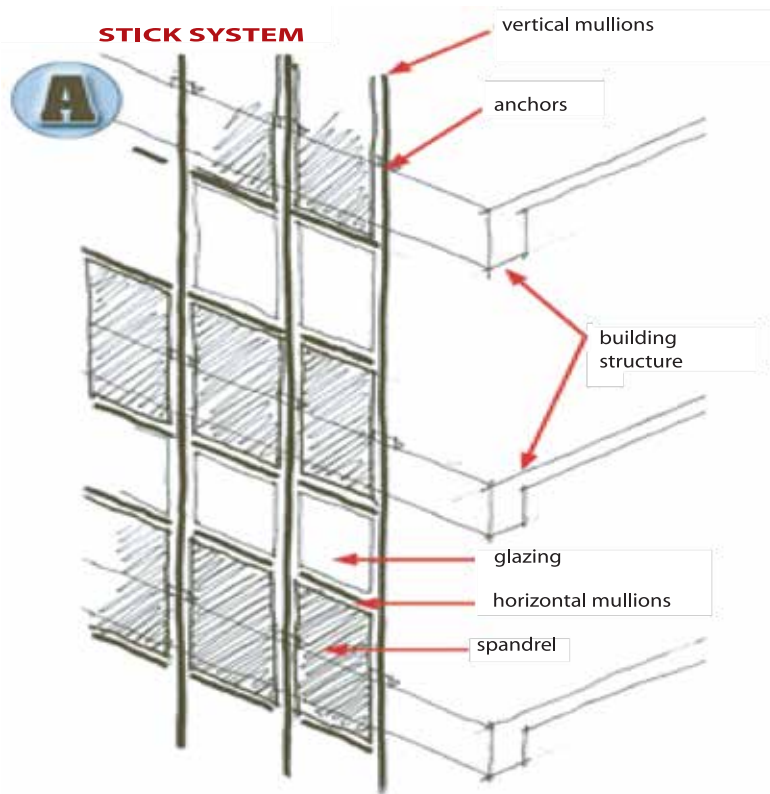
- *Relatively inexpensive*
- *Enhances perceived spaciousness*
- *Single & Double Glazed unit*
- *Multiple combinations*
- *Sleek design*

COME HOME TO QUALITY

Curtain wall: A Curtain wall outer walls are non-structural, but merely keep the weather out and the occupants in. As the curtain wall is non-structural it can be made of a lightweight material, reducing construction costs. When glass is used as the curtain wall, a great advantage is that natural light can penetrate deeper within the building. The curtain wall facade does not carry any dead load weight from the building other than its own dead load weight. The wall transfers horizontal wind loads that are incident upon it to the main building structure through connections at floors or columns of the building. A curtain wall is designed to resist air and water infiltration, sway induced by wind and seismic forces acting on the building and its own dead load weight forces.



Curtain walls differ from store-front systems in that they are designed to span multiple floors, and take into consideration design requirements such as: thermal expansion and contraction; building sway and movement; water diversion; and thermal efficiency for cost-effective heating, cooling, and lighting in the building



COME HOME TO QUALITY



Maintenance and repair:

Curtain walls and perimeter sealants require maintenance to maximize service life. Perimeter sealants, properly designed and installed, have a typical service life of 10 to 15 years. Removal and replacement of perimeter sealants require meticulous surface preparation and proper detailing

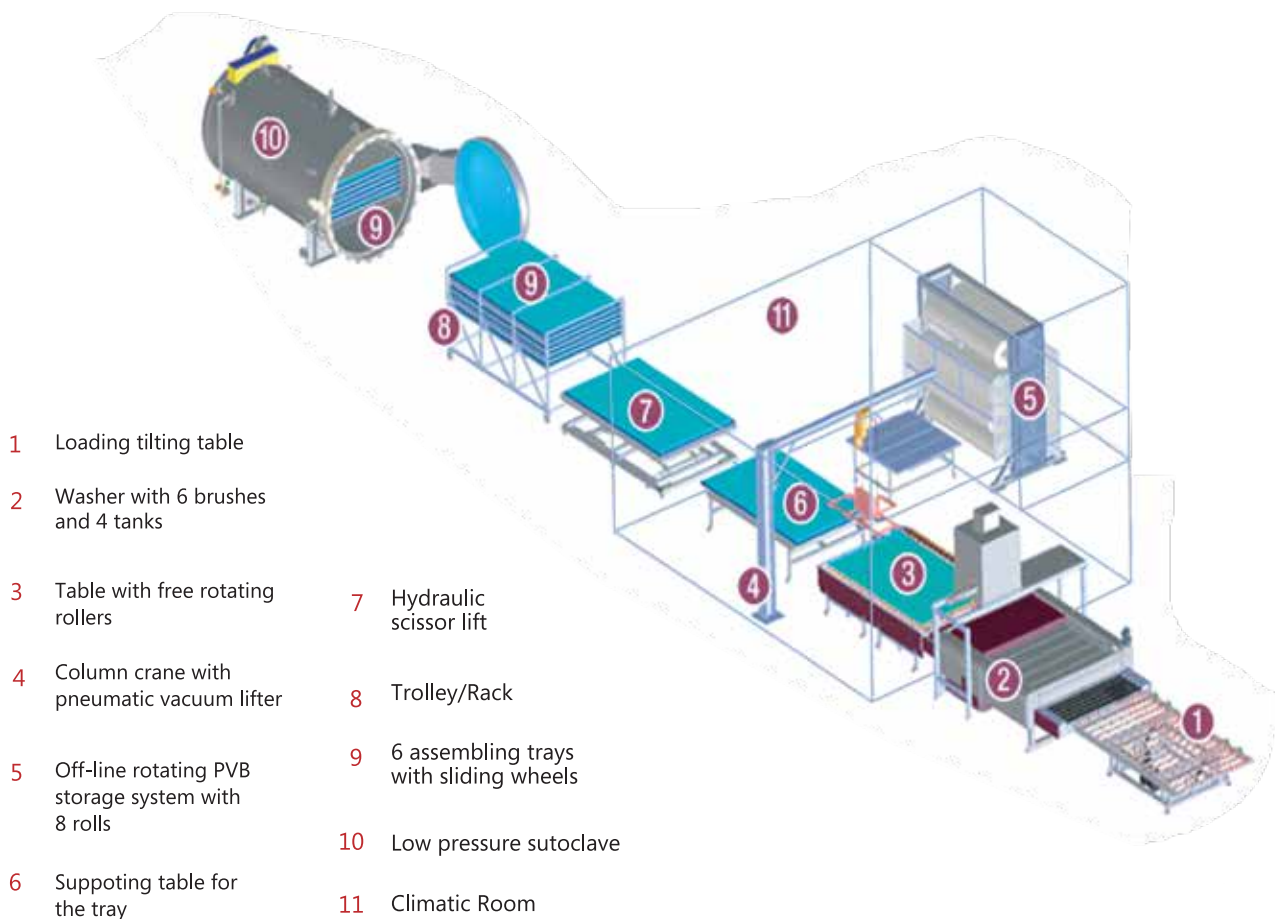


COME HOME TO QUALITY

Laminated glass:

Is a type of safety glass that holds together when shattered. In the event of breaking, it is held in place by an interlayer, typically of polyvinyl butyral (PVB), between its two or more layers of glass. The interlayer keeps the layers of glass bonded even when broken, and its high strength prevents the glass from breaking up into large sharp pieces. This produces a characteristic "spider web" cracking pattern when the impact is not enough to completely pierce the glass.

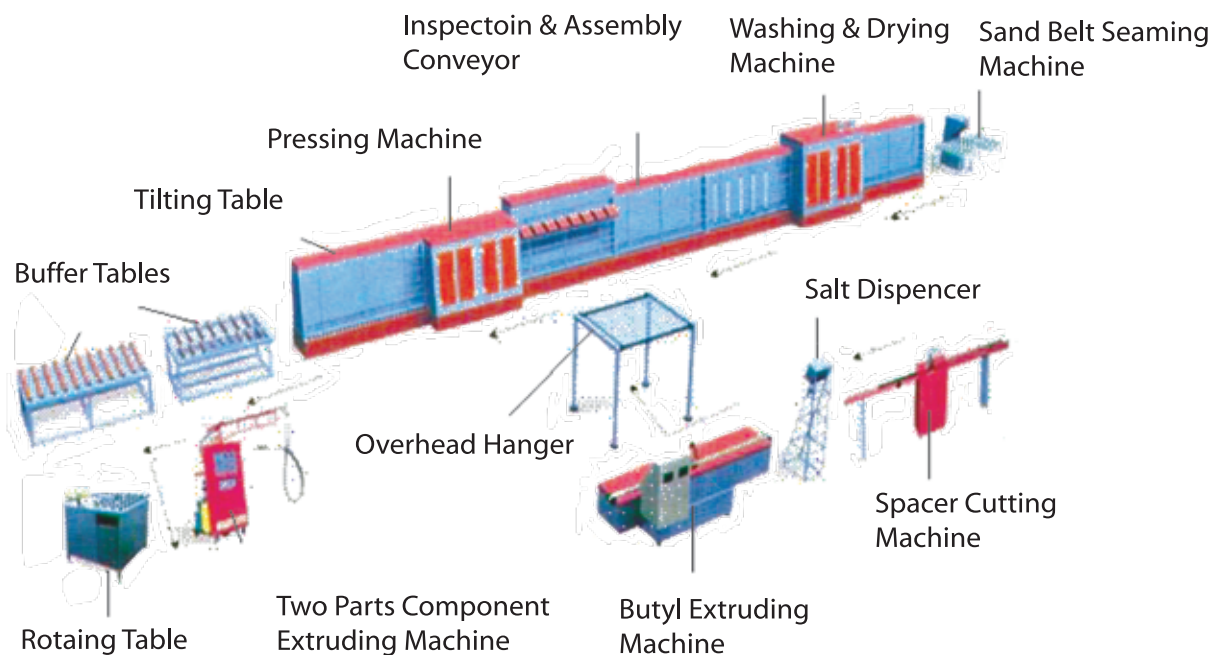
Laminated glass is normally used when there is a possibility of human impact or where the glass could fall if shattered. Skylight glazing and automobile windshield typically use laminated glass. In geographical areas requiring hurricane-resistant construction, laminated glass is often used in exterior storefronts, curtain walls and windows. The PVB interlayer also gives the glass a much higher sound insulating, rating, due to the damping effect and also blocks 99% incoming UV radiation.



- 1 Loading tilting table
- 2 Washer with 6 brushes and 4 tanks
- 3 Table with free rotating rollers
- 4 Column crane with pneumatic vacuum lifter
- 5 Off-line rotating PVB storage system with 8 rolls
- 6 Supporting table for the tray
- 7 Hydraulic scissor lift
- 8 Trolley/Rack
- 9 6 assembling trays with sliding wheels
- 10 Low pressure autoclave
- 11 Climatic Room

Double Glazing, IGU:

Insulated glass is also called Hollow glass, or Double glazing unit, which is made of two or more PCS of glass glazing sheets which might be low e or reflective glass or normal float colored glass and use sealant gumming and aluminum spacers which was filled with desiccant together. Insulated glass/ Hollow glass/IGU/Double glazing glass with the perimeter of the spacer that gets in contact with the glass is properly sealed with primary and secondary sealants to ensure it with air/argon tight.



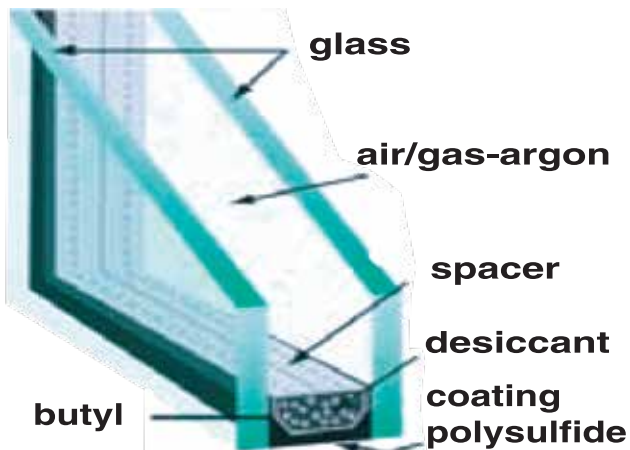
Applications:

The insulated glass/ Hollow glass/IGU/Double glazing glass is widely used in glass curtain walls, doors, windows and place with glass in automobile, ships, aircra fts and instruments.

- Window and door
- Facades, cladding and curtain walls
- Automobile, train, vessel
- Refrigerator freezer

Specifications:

Insulated glass/ Hollow glass/IGU/Double glazing glass Production Capability: Max Size: 2133mm x 2591 mm (except for manual production) Min Size: 180mm x 350mm Air or argon spacer gap: 6mm, 8mm, 10mm, 12mm, 15mm, 16mm Glass thickness: 5+10A+5mm; 6+8 A+6mm; 6+16A+6mm; 8+12A+8mm; 8+16A+8mm; etc Color: low iron, light blue, Ford blue, dark blue, ocean blue, light gray, blue bronze



Competitive Advantage:

Insulated glass/ Hollow glass/IGU/Double glazing glass Performance Features

1. The insulated glass/Hollow glass/IGU/Double glazing glass filled with the inert gas is excellent in heat and sound insulation, meeting the requirement for saving energy and environmental protection.
2. Hoarfrost and dew effect can be eliminated.
3. High wind pressure strength.
4. Not easy to be self exploded.
5. When choosing coated glass as the basal pieces, the coated layer will not come off.
6. Noise insulation.

COME HOME TO QUALITY



GATCO

GLAZE APPLIANCE TECHNOLOGIES LTD.

Firoza Garden, Plot no. 1/A, Road no. 1/B
Nikunja-2, Khilkhet, Dhaka-1229

Help: +88 01711 347742, 01867 793083, 0 1714 703429

Web : www.gatco.com, email : info.gatcomail@gmail.com

Register Office: 211, Hasen Uddin Road, Uttar Badda, Dhaka.

Gatco Provide

Façade work (curtain wall, spider, ACP, railing) with
Sliding, Casement & Fixed Euro Windows & Doors System

COME HOME TO QUALITY